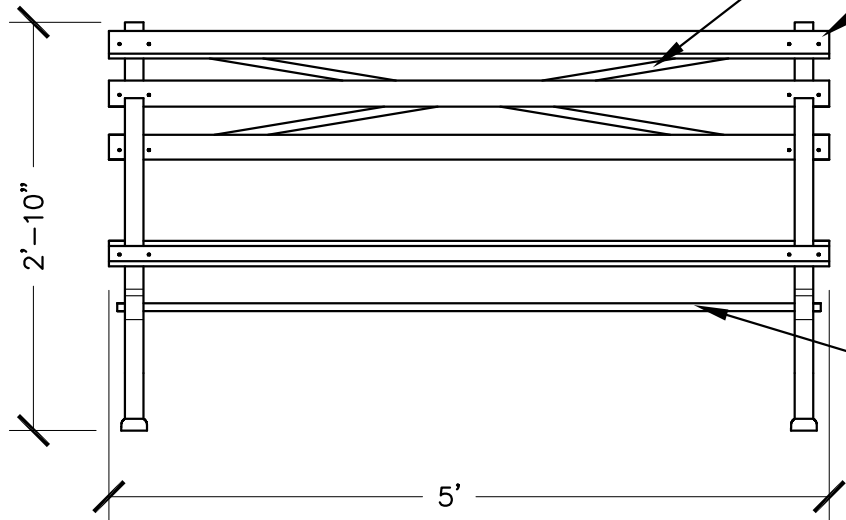


PLAN VIEW

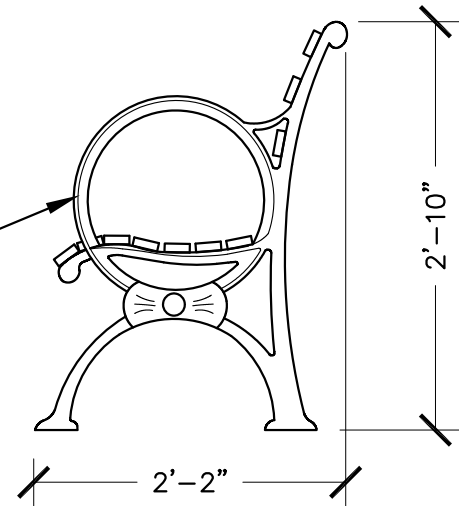
CLEAR WHITE OAK
SLATS COATED
WITH CLEAR
EXTERIOR VARNISH



ELEVATION

CAST IRON BENCH
END - (2 REQ'D)

3/4" STEEL
BRACING ROD



SIDE ELEVATION



5FT EXPO BENCH

